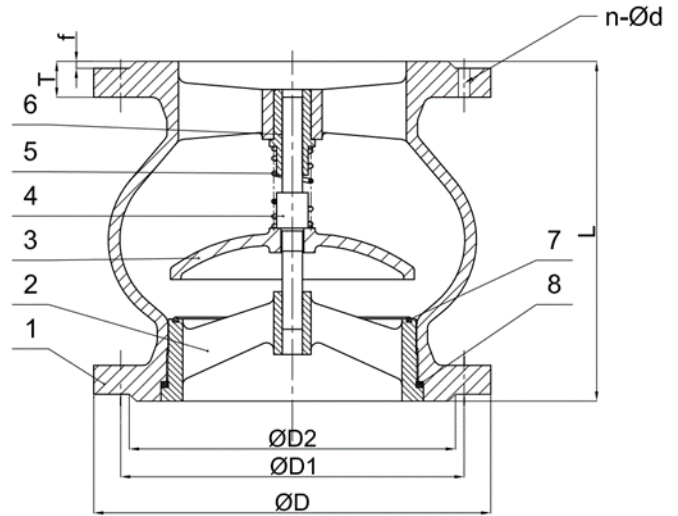


## DUCTILE IRON SILENT CHECK VALVE PN16

Model: DI-SLC-PN16



### TECHNICAL DATA

#### SPECIFICATION STANDARDS

Design according to: Manufactory Standard
Face to face standard: Manufactory Standard
Flange end standard: EN1092-2 PN16 ( BS4504 PN16 )
Inspection and testing standard: EN 12266-1
Nominal pressure: 1.6 MPa
Test pressure shell: 2.4 MPa
Test pressure seal: 1.76 MPa
Working temperature: Max 80°C
Applicable medium: Water

#### STANDARD MATERIALS OF MAIN PARTS

ITEM	PART NAME	MATERIAL
1	BODY	DUCTILE IRON
2	SEAT	CF8
3	DISC	CF8
4	STEM	SS304
5	SPRING	SS304
6	BUSHING	C83600
7	SEAL	EPDM/ NBR
8	O-RING	EPDM/ NBR

### DIMENSION (mm)

DN	NPS	L	ØD	ØD1	ØD2	n-Ød	T	F
DN50	2"	133	Ø 165	Ø 125	Ø 99	4-Ø19	19	3
DN65	2,5"	140	Ø 185	Ø 145	Ø 118	4-Ø19	19	3
DN80	3"	152	Ø 200	Ø 160	Ø 132	8-Ø19	19	3
DN100	4"	185	Ø 220	Ø 180	Ø 156	8-Ø19	19	3
DN125	5"	216	Ø 250	Ø 210	Ø 184	8-Ø19	19	3
DN150	6"	229	Ø 285	Ø 240	Ø 211	8-Ø23	19	3
DN200	8"	257	Ø 340	Ø 295	Ø 266	12-Ø23	20	3
DN250	10"	393	Ø 405	Ø 355	Ø 319	12-Ø28	22	3
DN300	12"	362	Ø 460	Ø 410	Ø 370	12-Ø28	24.5	4
DN350	14"	400	Ø 520	Ø 470	Ø 429	16-Ø28	26.5	4
DN400	16"	448	Ø 580	Ø 525	Ø 480	16-Ø31	28	4